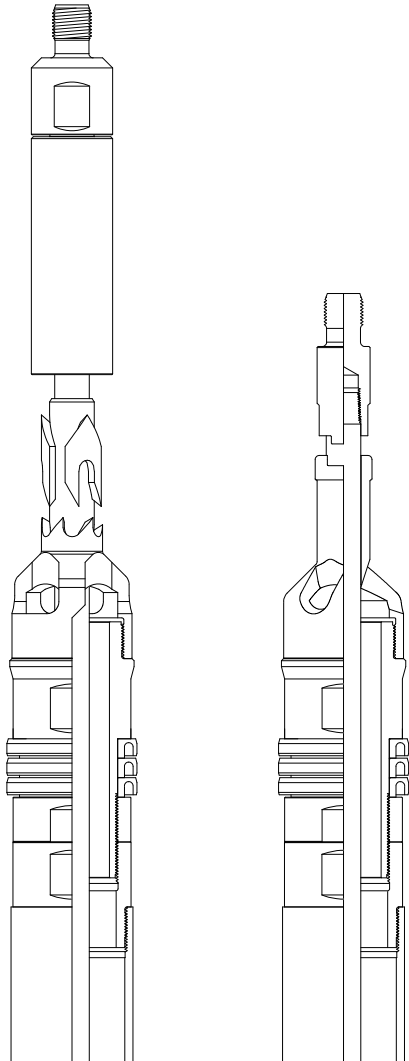


Dura Auto Deployment And Retrieval Tool (DART)



- Designed for installing and pulling insert pumps in collapsed position

- Features automatic latch & unlatch mechanism without the need to rotate the rod string

- Prevents bending or damaging of pump pull rod

- Recommended for pumps with long barrels; wells that have unusually high wellheads; or where crown room on Service Rig may be limited

- Allows safe running and pulling of long stroke pumps. Well integrity is not risked by having the open pump obstructing the BOP rams

- The tool can also be used to unseat the pump with a flush-by unit, providing the capability to wash debris from around the pump and pump seating nipple

- Can be custom designed to suit the operator's application

- Reliable operation - field tested

- Designed, manufactured, lab tested and field tested in accordance with ISO 9001 procedures

- Successfully and reliably in use in northern Alberta with no problems encountered

- Manufactured from NACE MR-01-75 compliant materials for H2S service

Contact: Merlin Thiry (Dura Products Sales Manager) for more details or to discuss your application.

Phone: (403) 531-5614
Email: mthiry.dura@cefranklin.com
Web: www.duraproductsinc.com